



DI-155

4-Channel USB Data Acquisition Starter Kit

User's Manual

Manual Revision E

Copyright © 2014 by DATAQ Instruments, Inc. The Information contained herein is the exclusive property of DATAQ Instruments, Inc., except as otherwise indicated and shall not be reproduced, transmitted, transcribed, stored in a retrieval system, or translated into any human or computer language, in any form or by any means, electronic, mechanical, magnetic, optical, chemical, manual, or otherwise without expressed written authorization from the company. The distribution of this material outside the company may occur only as authorized by the company in writing.

DATAQ Instruments' hardware and software products are not designed to be used in the diagnosis and treatment of humans, nor are they to be used as critical components in any life-support systems whose failure to perform can reasonably be expected to cause significant injury to humans.

DATAQ, the DATAQ logo, and WINDAQ are registered trademarks of DATAQ Instruments, Inc. All rights reserved.



DATAQ Instruments, Inc.
241 Springside Drive
Akron, Ohio 44333 U.S.A.
Telephone: 330-668-1444
Fax: 330-666-5434

Designed and manufactured in the
United States of America

Warranty and Service Policy

Product Warranty

DATAQ Instruments, Inc. warrants that this hardware will be free from defects in materials and workmanship under normal use and service for a period of 90 days from the date of shipment. DATAQ Instruments' obligations under this warranty shall not arise until the defective material is shipped freight prepaid to DATAQ Instruments. The only responsibility of DATAQ Instruments under this warranty is to repair or replace, at its discretion and on a free of charge basis, the defective material.

This warranty does not extend to products that have been repaired or altered by persons other than DATAQ Instruments employees, or products that have been subjected to misuse, neglect, improper installation, or accident.

DATAQ Instruments shall have no liability for incidental or consequential damages of any kind arising out of the sale, installation, or use of its products.

Service Policy

1. All products returned to DATAQ Instruments for service, regardless of warranty status, must be on a freight-prepaid basis.
2. DATAQ Instruments will repair or replace any defective product within 5 days of its receipt.
3. For in-warranty repairs, DATAQ Instruments will return repaired items to the buyer freight prepaid. Out of warranty repairs will be returned with freight prepaid and added to the service invoice.

Table of Contents

Warranty and Service Policy	iii
1. Introduction	1
Features	1
Analog Inputs	1
Digital Inputs	1
Digital Outputs	1
Software	1
WinDaq® Recording and Playback Software	2
The DATAQ Instruments Hardware Manager	2
Help	2
2. Specifications	3
3. Installation	7
Installing WinDaq Software and the DATAQ Instruments Hardware Manager	7
Connecting the Instrument to Your Computer	8
DATAQ Instruments Hardware Manager	8
4. Controls, Indicators, and Connections	9
Mini-B USB Connection	9
Connecting Input Signals	9
DI-155 Signal Connections	9
Connect Analog Input Channel 1	10
Connecting Signal Leads	10
Gain Settings	11
Digital Inputs	12
WinDaq Remote Events (Evt/DI0)	13
WinDaq Remote Storage (Rcrd/DI1)	15
WinDaq Rate (Rate/DI2)	15
WinDaq Counter (Cnt/DI3)	17
General Purpose Digital Inputs	19
4-20mA Current Loop Measurements	20
LED Indicators	21
5. DI-155 Block Diagram	23
6. Dimensional Drawing	25

1. Introduction

This manual contains information designed to familiarize you with the features and functions of the DI-155 USB data acquisition starter kit. These high-end Starter kits contain features and functionality normally reserved for more expensive data acquisition systems.

Features

The **DI-155** data acquisition instrument is a portable data recording module that communicates through your computer's USB port. Power is derived from the interface port so no external power is required. Features include:

- 4 fixed differential analog inputs protected to $\pm 150\text{V}$ (transient).
- 8 programmable gain ranges per channel (± 2.50 , 3.125, 5, 6.25, 10, 12.50, 25, 50 VFS)
- 4 digital inputs protected to $\pm 30\text{V}$: Two dedicated for WINDAQ remote control operations; One dedicated to WINDAQ rate measurements; and One dedicated to WINDAQ counter measurements.
- $\pm 50\text{V}$ full scale measurement range.
- Up to 10 kHz maximum sampling rate (requires WINDAQ/High Speed Unlock Code).
- A push-button to tag remote events in WINDAQ software.
- Four dedicated digital output ports for use via a programming language or with 3rd party plug-ins.
- Three status LEDs for easy notification of system status.

Analog Inputs

The DI-155 features four differential channel inputs located on two sixteen-position screw terminal blocks for easy connection and operation (other terminals used for digital I/O). Each channel can be programmed to acquire data at one of 8 different gain ranges: ± 2.50 , 3.125, 5, 6.25, 10, 12.50, 25, 50 VFS.

Utilize the functionality of WINDAQ software to experience all the features encased in these small, inexpensive instruments.

Digital Inputs

The DI-155 contains four digital lines (bits) for WINDAQ remote control operations (Remote Start/Stop and Remote Events), frequency measurements, and counts. Connect switch closures or discrete levels with a maximum input of 30V and a threshold of 1.8V. The inputs float at 1 level, about 3.3V relative to the "-" terminal, and require sinking about 50uA to bring them down to 0.8V and guarantee a 0.

Digital Outputs

The DI-155 contains four general purpose digital output lines (30 VDC or peak AC, 500 mA max) for use with third party applications or from a programming language. WINDAQ does not support these digital outputs.

Software

All software required to record and playback waveforms is included with the purchase of any DI-155 data acquisition starter kit via download.

WINDAQ[®] Recording and Playback Software

WINDAQ Acquisition and WINDAQ Waveform Browser allow you to record and playback data acquired through your instrument. WINDAQ software is an invaluable resource to record and analyze your data and is available for free from our web site (www.dataq.com).

WINDAQ Data Acquisition software (free) can be used to record waveforms directly and continuously to disk while monitoring a real time display of the waveforms on-screen. It operates, displays, and records waveform signals in real time at 240Hz maximum throughput. Purchase the optional Unlock Code to record at a maximum throughput rate of 10kHz.

WINDAQ Waveform Browser playback software (also known as “WWB”) offers an easy way to review and analyze acquired waveforms. A built-in data file translator allows the user to display multiple waveforms acquired by WINDAQ Acquisition software or any of a wide range of data acquisition packages. The software’s disk-streaming design allows data files of any length to be graphically displayed rapidly, in normal or reverse time directions. Seven standard cursor-based measurements, frequency domain, and statistical analysis functions help simplify waveform analysis and interpretation. WINDAQ Waveform Browser is free and installed when installing WINDAQ Software.

The DATAQ Instruments Hardware Manager

This software can be found in the Start menu under the WINDAQ program group called **DATAQ Instruments Hardware Manager**. Access WINDAQ Acquisition software and manage multiple DATAQ Instruments devices in this easy-to-use point and click environment. View the Help files by clicking on View Help in the Help menu or by pressing F1.

Help

All WINDAQ software utilizes context-sensitive help. Help may be accessed through the Help menu or by pressing the F1 key with any pull-down menu item selected. This will take you directly to the Help topic most relevant to that particular function or feature. Help topics discuss in detail each function available in the software.

2. Specifications

Analog Inputs

Number of Channels:	4
Channel Configuration:	Differential
Programmable measurement ranges per channel:	± 2.50 , 3.125, 5, 6.25, 10, 12.50, 25, 50 VFS
Input impedance:	2 M Ω , differential
Isolation:	none
Absolute Accuracy (@ 25°C, excluding common mode error)	± 10 VFS Range: 0.20% of FS All Other Ranges: 0.50% of FSR
Absolute maximum input without damage:	± 75 V peak continuous; ± 150 V peak, one minute or less
Maximum common mode voltage:	± 20 V peak
Minimum common mode rejection:	40 db @ DC
Channel-to-channel crosstalk rejection:	72 db minimum @ any throughput

Digital Inputs

Number of Channels:	4 (2 shared with counter/rate inputs)
Pull-up value:	47 K Ω
Isolation:	none
Input high voltage threshold:	1.8 V minimum
Input low voltage threshold:	1.4 V maximum
Absolute maximum values:	± 30 VDC

Reserved Inputs (Digital Inputs)

Digital In 0:	WINDAQ remote start/stop
Digital In 1:	WINDAQ remote events

ADC Characteristics

Resolution:	Overall approx. 1 part in 8,192 (13-bit) Above zero: approx. 1 part in 4,095 Below zero: approx. 1 part in 4,096
Max. sample throughput rate:	10 kHz
Max. sample rate for a single channel:	10 kHz
Min. sample throughput rate:	Hardware only: 11.44 Hz; with WinDaq Software: 0.000350 Hz
Sample rate timing accuracy:	50 ppm

Counter/Rate (DI2 and DI3)

Number of Channels:	2 (shared with digital inputs)
Port Assignment:	Rate = DI2; Counter = DI3

Pull-up value:	47 K Ω
Isolation:	none
Input high voltage threshold:	1.8 V minimum
Input low voltage threshold:	1.4 V maximum
Absolute maximum values:	\pm 30 VDC
Terminal count:	16,384 (14-bit)
Maximum Rate Frequency:	The lesser of 10 kHz or 2 \times total burst rate.
Minimum Rate Frequency:	0.75 Hz
Maximum Count Frequency:	The lesser of 5 kHz or 0.50 \times total burst rate (assumes 50% duty cycle square wave)
Rate averaging:	none

Digital Outputs

Number of Channels:	4
Isolation:	none
Absolute max ratings:	Voltage: 30 VDC or peak AC Sink current: 0.5 A Source current: 3 mA On resistance < 2 Ω

Indicators and Connections

Interface:	USB 2.0 (mini-B style connector)
Indicators (LED):	Power, Active, Remote
Input Connections:	Two 16-position terminal strip

Power

Power Consumption:	<1.0 Watt, via USB interface
--------------------	------------------------------

Environmental

Operating Temperature:	0°C to 35°C (32°F to 95°F)
Operating Humidity:	0 to 90% non-condensing
Storage Temperature:	-20°C to 45°C (-4°F to 113°F)
Storage Humidity:	0 to 90% non-condensing

Physical Characteristics

Enclosure:	Hardened Plastic
Mounting:	Desktop; bulkhead
Dimensions:	2.625D \times 5.5W \times 1.53H in. (6.67D \times 13.97W \times 3.89H cm.)
Weight:	< 4 oz. (< 140 grams)

Software Support

WINDAQ software:

OS support: Check online at <http://www.dataq.com/products/windaq/windows-compatibility/>

Sample Rate Limit: 240 Hz (with optional Unlock Code: 10kHz)

Programming:

[DATAQ SDK](#), [Instrument Protocol](#), [DLL](#), and [Active X](#)

3. Installation

The following items are included with each WINDAQ Starter Kit. Verify that you have the following:

- A DI-155 USB data acquisition instrument.
- USB cable.
- A DATAQ Instruments screwdriver for signal lead connections.

If an item is missing or damaged, call DATAQ Instruments at 330-668-1444. We will guide you through the appropriate steps for replacing missing or damaged items. Save the original packing material in the unlikely event that your unit must, for any reason, be sent back to DATAQ Instruments.

Installing WINDAQ Software and the DATAQ Instruments Hardware Manager

All software for the DI-155 can be installed via a downloadable executable directly from the DATAQ Instruments web site. No CD is shipped with the device. You may burn the executable onto a CD to transport the software to a computer with no internet connection.

1. Disconnect all DATAQ Instruments USB devices from your Computer.



2. Go to run.dataq.com in your web browser.
3. You must subscribe to our newsletter in order to get the software download link (you can opt-out after download).
4. Save the file to your local hard drive.
5. Double-click on the downloaded file to extract the program and begin software installation.
6. Follow the on-screen prompts and enter any required information.

7. Software installation is complete - you will now see a “Successful Installation” box - click **OK** to exit WINDAQ Installation.

You can now plug the device(s) into your PC. Click on the appropriate program group (specified above — default is Start > Programs > WINDAQ) and click on “DATAQ Instruments Hardware Manager” to access WINDAQ software.

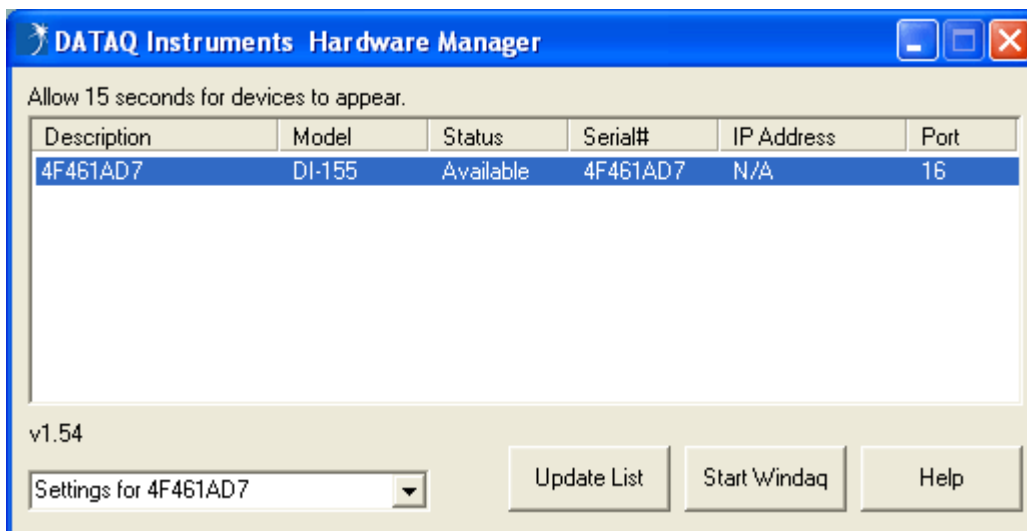
Connecting the Instrument to Your Computer

DI-155 instruments can be connected to your computer’s USB port using the provided USB cable. No external power is required. Connect one end of the communications cable to the instrument port and the other to your PC’s port.

Note: Use a powered USB hub or a USB port on your PC. Non-powered USB hubs may not have sufficient power to run the instrument.

DATAQ Instruments Hardware Manager

The DATAQ Instruments Hardware Manager is installed when installing any DI-155 instrument. This software allows you to effectively manage multiple devices installed on the same PC. The DATAQ Instruments Hardware Manager may be accessed through the Windows Program Manager Group as specified during installation (default is Start > Programs > WINDAQ > DATAQ Instruments Hardware Manager). All available devices will automatically appear in the list box when you run the software.

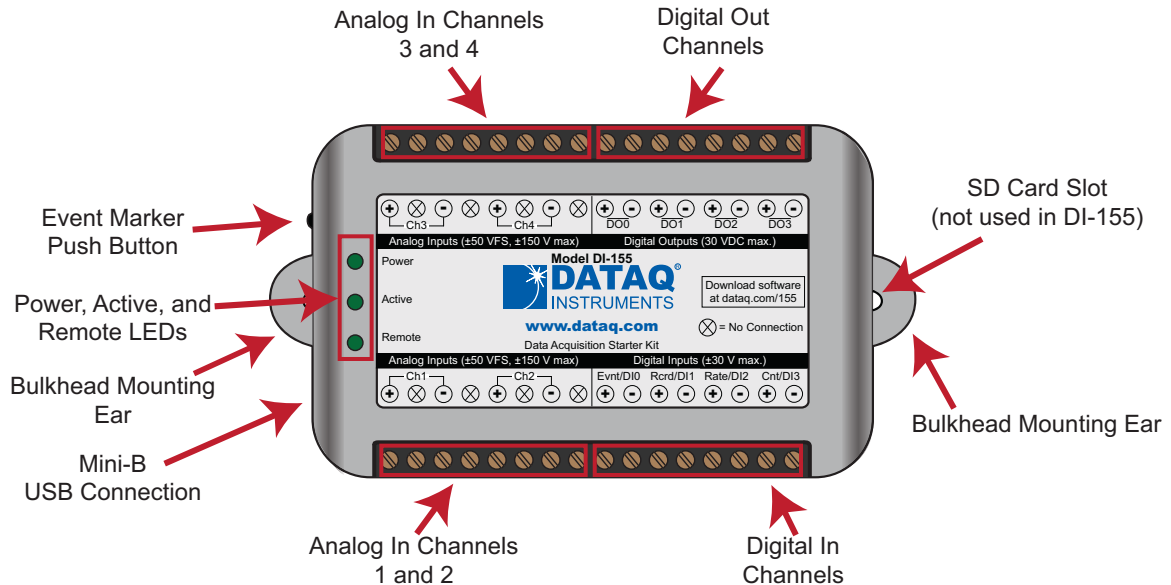


The Hardware Manager allows you to start WINDAQ Acquisition software (select the device and click on the **Start Windaq** button) and must be used when multiple DATAQ Instruments devices are installed. It also provides crucial information about your device needed for custom programming (Serial # and COM Port).

Please note: The description of DI-155 models cannot be modified.

Click on the Help button for help with the DATAQ Instruments Hardware Manager.

4. Controls, Indicators, and Connections



Please note: The SD card slot is not used in the DI-155. Allowing foreign materials to enter the device through the SD card slot may result in damage to the instrument.

Mini-B USB Connection

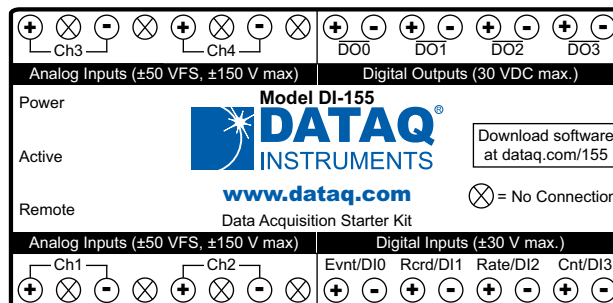
Use the supplied USB cable to connect and power the instrument through your computer's USB port.

Connecting Input Signals

All input signal connections are made to the 16-port screw terminals. Each terminal is labeled directly on the instrument case.

DI-155 Signal Connections

Refer to the following for screw terminal port identification.



Analog Inputs Ch#: Analog channels 1-4 (± 50 VFS, ± 150 V transient max.)

Digital Inputs: General purpose digital inputs (bits 0-3). Can also be used for specific WINDAQ functions (± 30 Vmax).

Digital Input bit 0 (**Evnt/DI0**)—WINDAQ Remote Event Marker

Digital Input bit 1 (**Rcrd/DI1**)—WINDAQ Remote Start/Stop

Digital Input bit 2 (**Rate/DI2**)—WINDAQ Rate Input

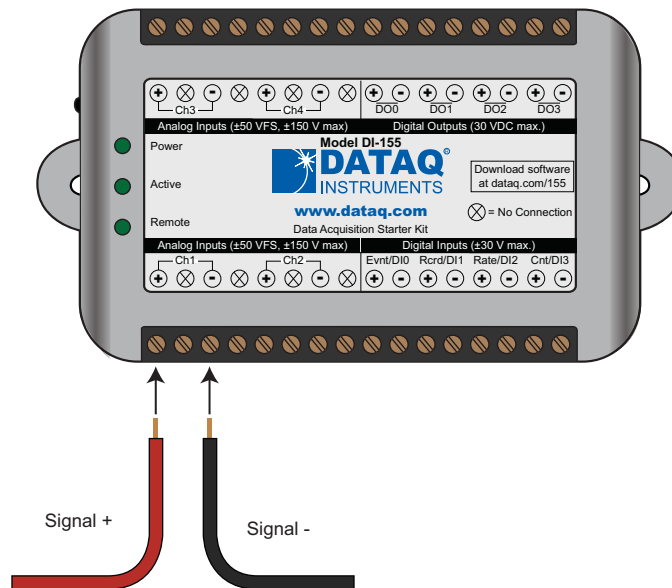
Digital Input bit 3 (**Cnt/DI3**)—WINDAQ Counter Input

Digital Outputs DO#: General purpose digital outputs (bits 0-3) for use in 3rd party programs (30 VDC max).

No Connection: ⊗ = No connection, Reserved.

Connect Analog Input Channel 1

Use the following diagram to connect Analog Input Channel 1.

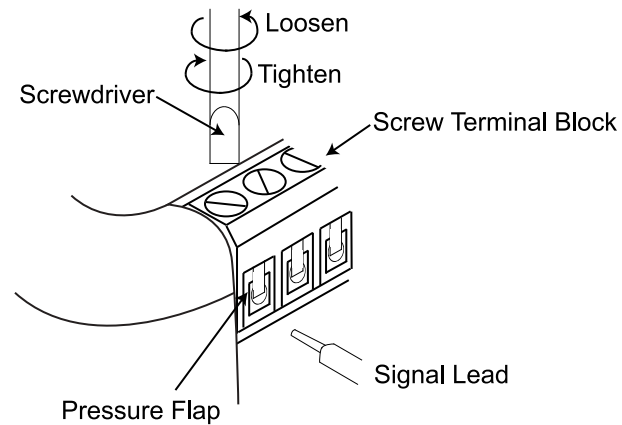


Connecting Signal Leads

To connect signal leads to the DI-155:

1. Insert the stripped end of a signal lead into the desired terminal directly under the screw.
2. Tighten the pressure flap by rotating the screw clockwise with a small screwdriver. Make sure that the pressure flap tightens only against the signal wire and not the wire insulation. Do not over-tighten.

- Tug gently on the signal lead to ensure that it is firmly secured.



When an input signal is connected and WINDAQ Acquisition software is run, WINDAQ's real time display immediately reveals the input waveform on your computer's monitor.

Gain Settings

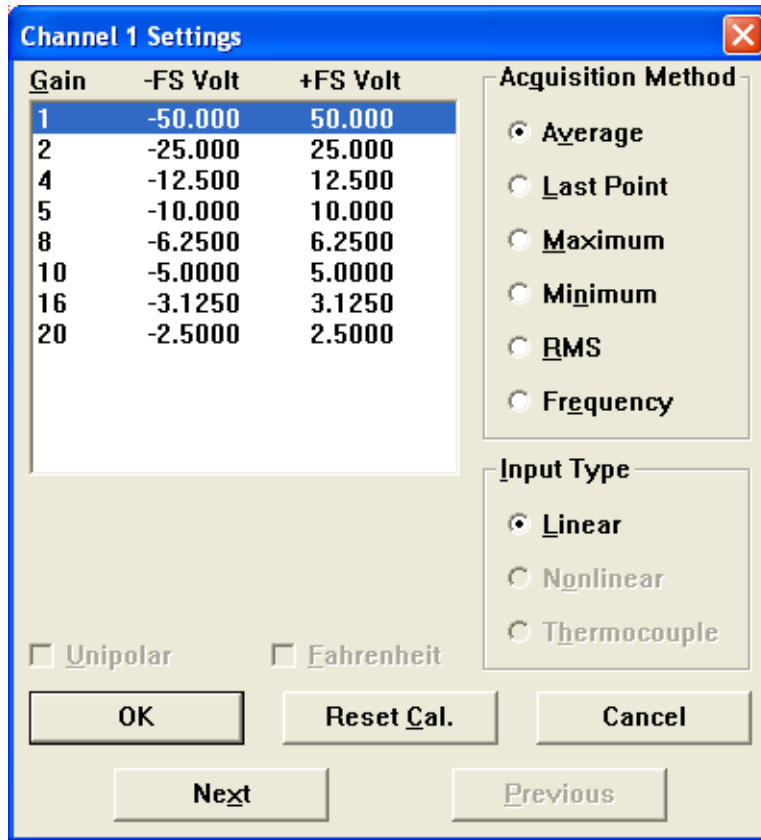
Each analog input channel on the DI-155 may be programmed for one of 8 gain ranges.

Measurement Range	Gain Setting
±50V Full Scale	1
±25V Full Scale	2
±12.5V Full Scale	4
±10V Full Scale	5
±6.25V Full Scale	8
±5V Full Scale	10
±3.125V Full Scale	16
±2.5V Full Scale	20

Change the gain setting for each channel individually:

- Select the channel (click on the channel box in the left hand side of the waveform screen).

- Open the Channel Settings dialog box. Select **Edit > Channel Settings** in the menu or press F10.



- Select the desired gain setting for that channel.
- Click the **Next** button to access channel settings for the next channel or click the **OK** button to close the dialog box.

Digital Inputs

The DI-155 contains 4 general purpose digital inputs that can also be used for specific WINDAQ functions:

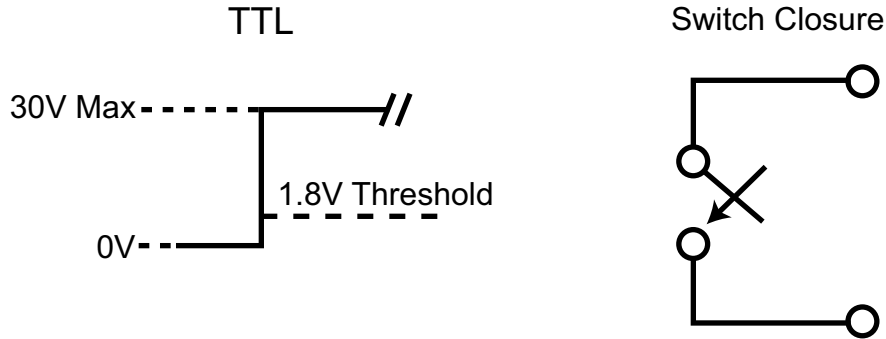
Evt/DI0 is for WINDAQ Remote Events. This bit inserts an event marker in your data (channel 9 must be enabled).

Rcrd/DI1 is for WINDAQ Remote Storage. This bit can be programmed to begin recording data. (channel 9 must be enabled).

Rate/DI2 is for WINDAQ Rate measurements.

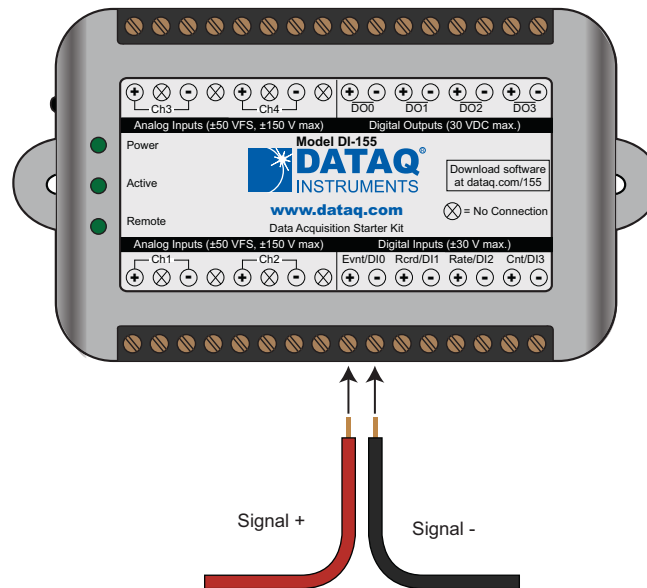
Cnt/DI3 is for WINDAQ Counter/Timer measurements.

Valid remote record and event signals are switch closures or discrete levels with a maximum input of 30 V and a threshold of 1.8 V.



WINDAQ Remote Events (Evt/DI0)

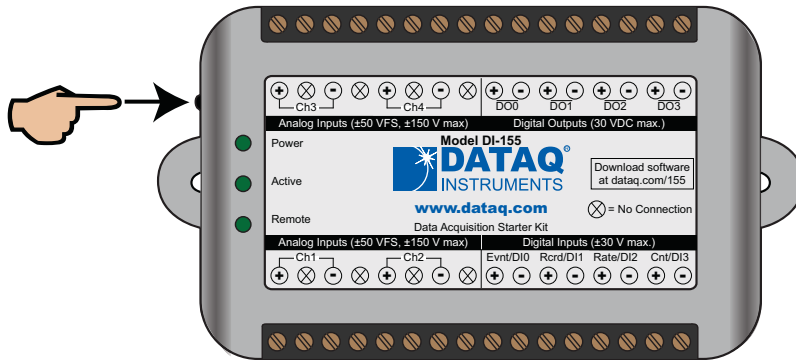
To use a switch closure or TTL signal to record WINDAQ Event Markers, connect signal leads to the appropriate Remote Control Event terminals on the DI-155 as shown below.



Once the switch closure or TTL signal is connected, activate Remote Events through WINDAQ Acquisition Software. Events may be automatically placed on the rising or falling edge of the trigger signal. Enable the digital input channel (channel 9) then use the menu command **Options > Remote Events +** to set WINDAQ to place event markers on low-to-high transitions of the Event input. Use the menu command **Options > Remote Events -** to set WINDAQ to place event markers on high-to-low transitions of the Event input.

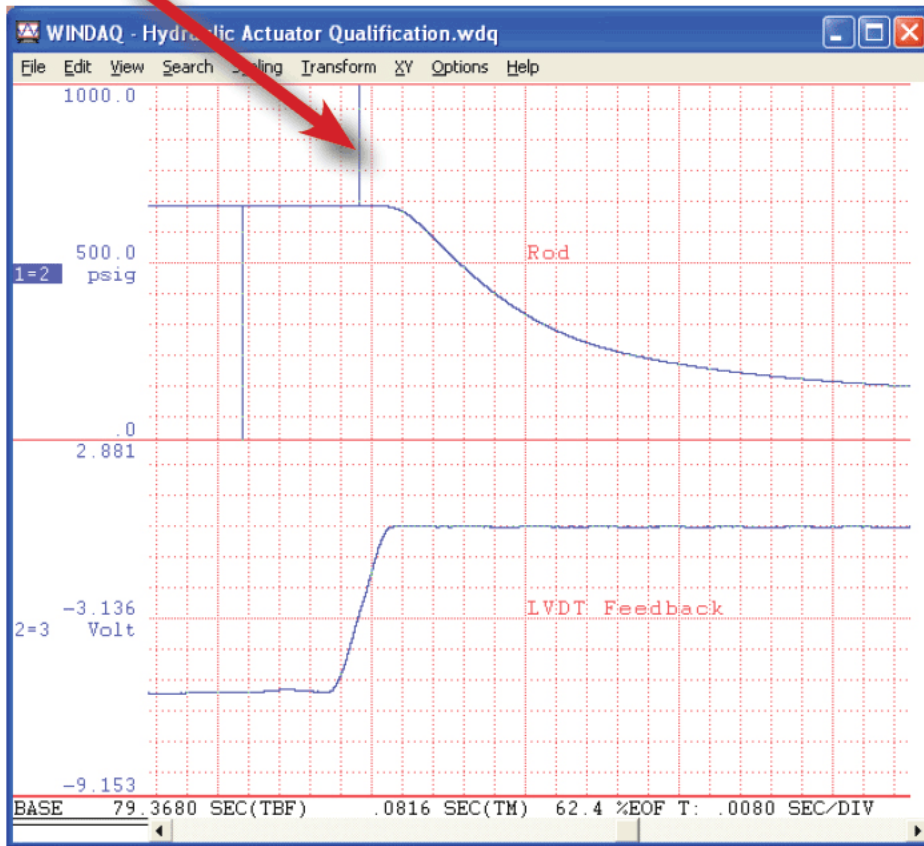
Please Note: The digital input channel (channel 9) must be enabled (see “General Purpose Digital Inputs” on page 19) to use Remote Events.

Event markers may also be placed in your data file manually by pressing the push button on the DI-155 Instrument. You must enable Remote Events in WINDAQ to use the button (use the menu command **Options > Remote Events +or Options > Remote Events -**).



An example event marker in a WINDAQ data file is shown below.

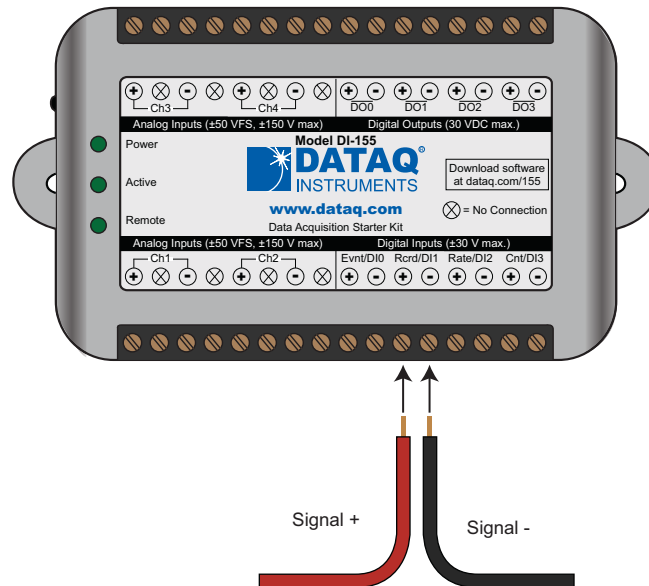
Event Marker*



**Please Note: Event Markers do not display in the real-time WINDAQ acquisition software - they only display in the WINDAQ playback software (WWB).*

WINDAQ Remote Storage (Rcrd/DI1)

To use a switch closure or TTL signal to begin recording data remotely, connect signal leads to the appropriate Remote Control Record terminals on the DI-155 as shown below.



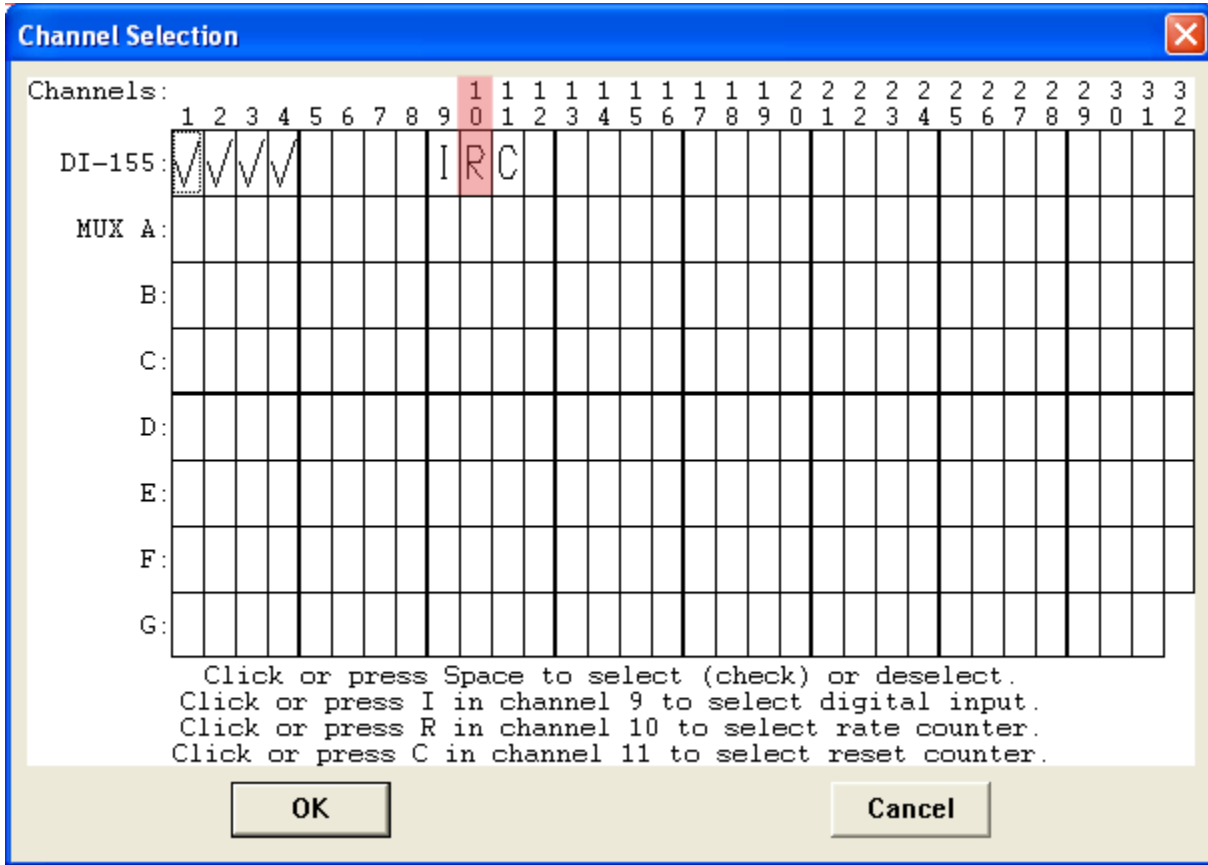
Once the switch closure or TTL signal is connected, activate Remote Storage (Record) through WINDAQ Acquisition Software. Storage to Disk may be automatically placed on the rising or falling edge of the trigger signal. Enable the digital input channel (channel 9) then use the menu command **Options > Remote Storage 1** to set WINDAQ to begin recording on low-to-high transitions of the Record input. Use the menu command **Options > Remote Storage 0** to set WINDAQ to begin recording on high-to-low transitions of the Record input.

***Please Note:** The digital input channel (channel 9) must be enabled (see "General Purpose Digital Inputs" on page 19) to use Remote Storage.*

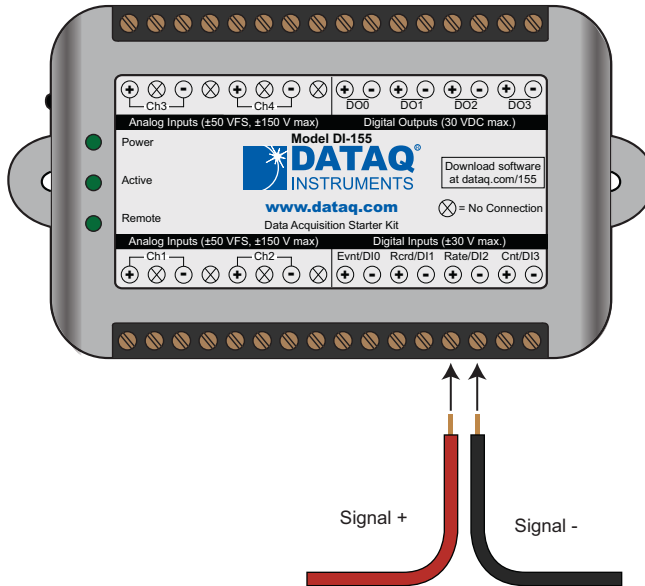
WINDAQ Rate (Rate/DI2)

Enable channel 10 to record Rate, or the number of falling-edge transitions per unit of time that are applied to this input. Click on **Edit > Channels** in the WINDAQ Acquisition menu to open the Channel Selection grid. Channel 10 is

the designated Rate channel. Click on the Channel 10 channel box to enable/disable Rates. The Channel 10 channel box will display an “R” when enabled.

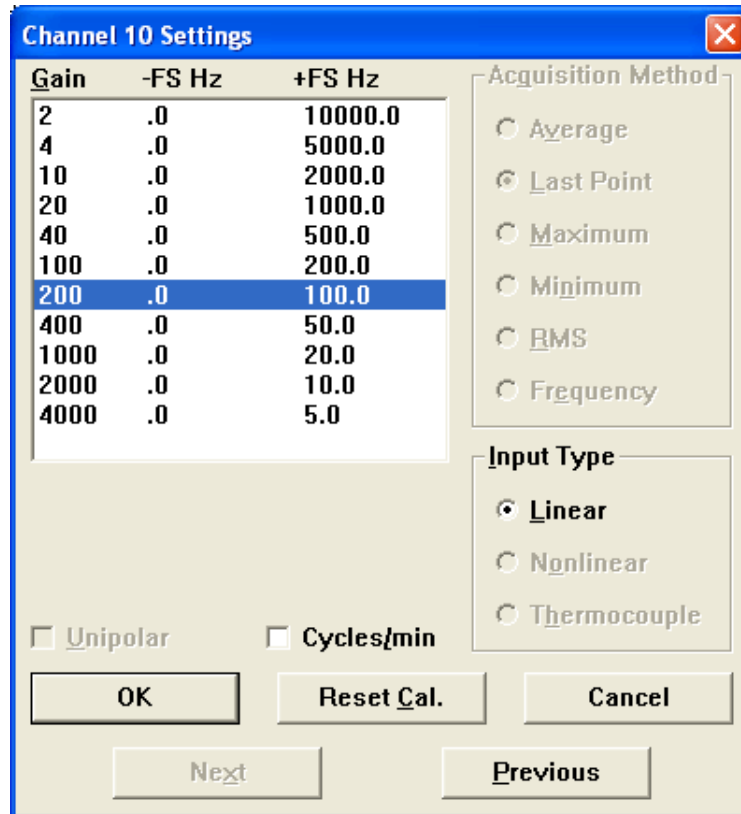


Connect any TTL pulse stream (30 VDC max) to the Rate/DI2 channel on the DI-155.



Select Channel 10 in the channel display, then select **Edit > Channel Settings** in the menu to specify a full scale range for the Rate channel. Ranges of 5, 10, 20, 50, 100, 200, 500, 1000, 2000, 5000, and 10000 Hz are available. Choose a range that comes closest to your expected full scale rate or frequency. For example, if you need to measure the output of a flow meter that can measure a maximum flow rate of 100 gallons per minute, and the output frequency

at that rate is 100 Hz, you would choose the 100 Hz range setting. A range setting of 200 Hz full scale sacrifices half of the instrument's resolution at 200 gallons per minute, and a range of 50 Hz allows measurements to only 50 gallons per minute full scale.



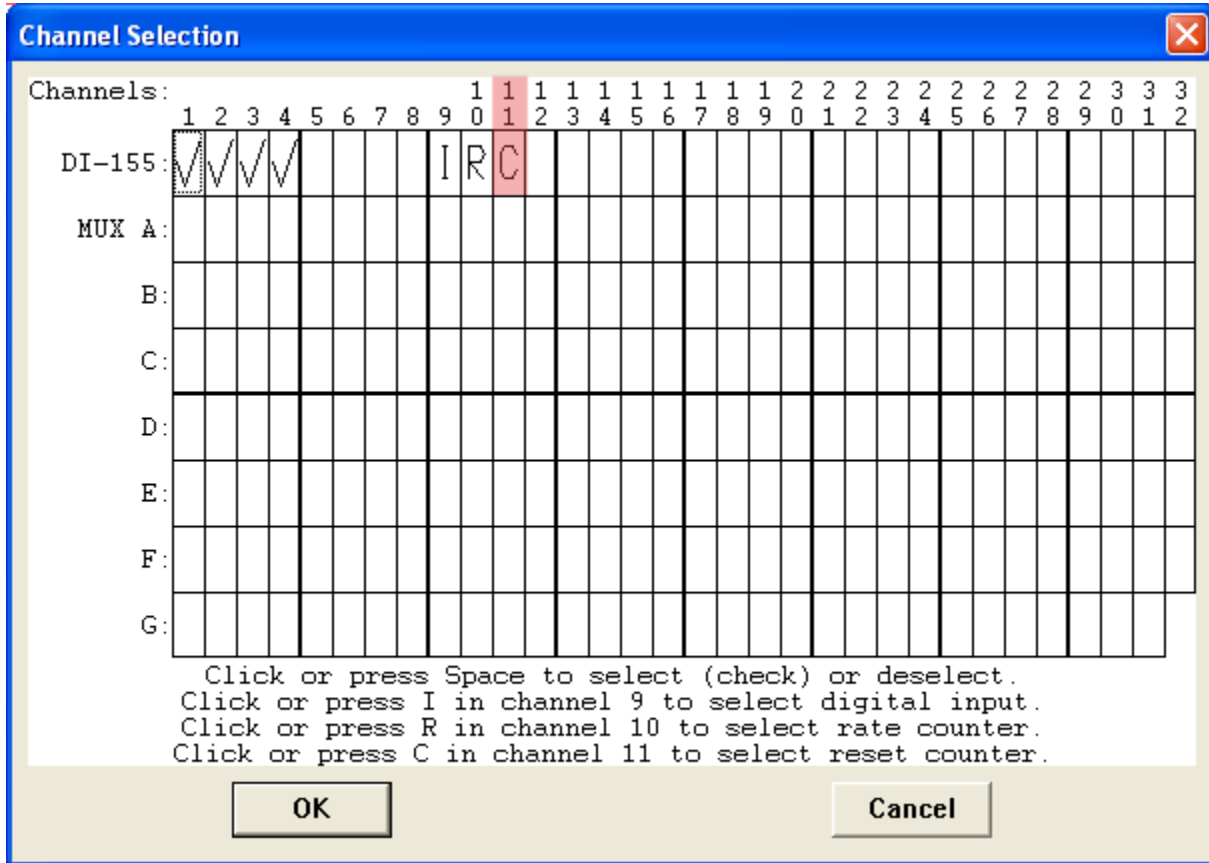
Check the "Cycles/min" box to display and select frequencies reported in cycles per minute instead of cycles per second (the measurement interval remains the same). Tachometer measurements in units of RPM (revolutions per minute) is just one example that benefits from selecting this option. For example, if the 100 Hz range setting is selected and "Cycles/min" is checked, the full scale range is actually 6000 cycles per minute.

Please Note: To measure the maximum rate, which is defined as 2 times the Maximum Sample Rate/Channel, the current values of Maximum Sample Rate/Channel divided by Sample Rate per Channel MUST be an integer.

WINDAQ Counter (Cnt/DI3)

Enable channel 11 to record Counts, or the number of falling-edge transitions that are applied to this input. The count may be reset via WINDAQ software or under program control as necessary. Click on **Edit > Channels** in the WINDAQ

Acquisition menu to open the Channel Selection grid. Channel 11 is the designated Count channel. Click on the Channel 11 channel box to enable/disable Counts. The Channel 11 channel box will display a “C” when enabled.



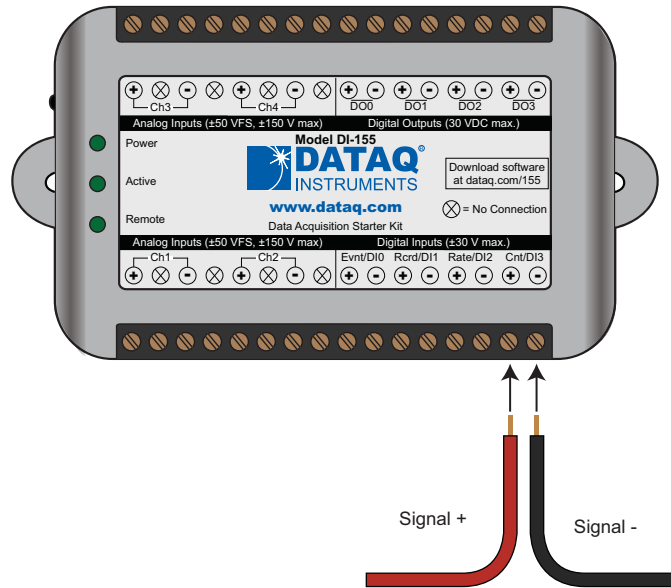
The counter channel accumulates counts over time whether recording or in standby mode as soon as the Counter channel is enabled. The *accumulated* values will be recorded to your data file unless you reset the counts to zero. The maximum count value is 16383 before the counter resets to zero automatically.

Use the Edit > **Reset Count** command in WINDAQ Acquisition software to reset counts immediately to zero. This feature is available in both standby and record modes.

Use the Edit > Preferences > **Reset Count on New File Record** in WINDAQ Acquisition software to reset the count at the start of a new file or when using the Edit > Preferences > Record Next File on Full or Open Next File on Full feature to reset counts to zero every time a new file is started.

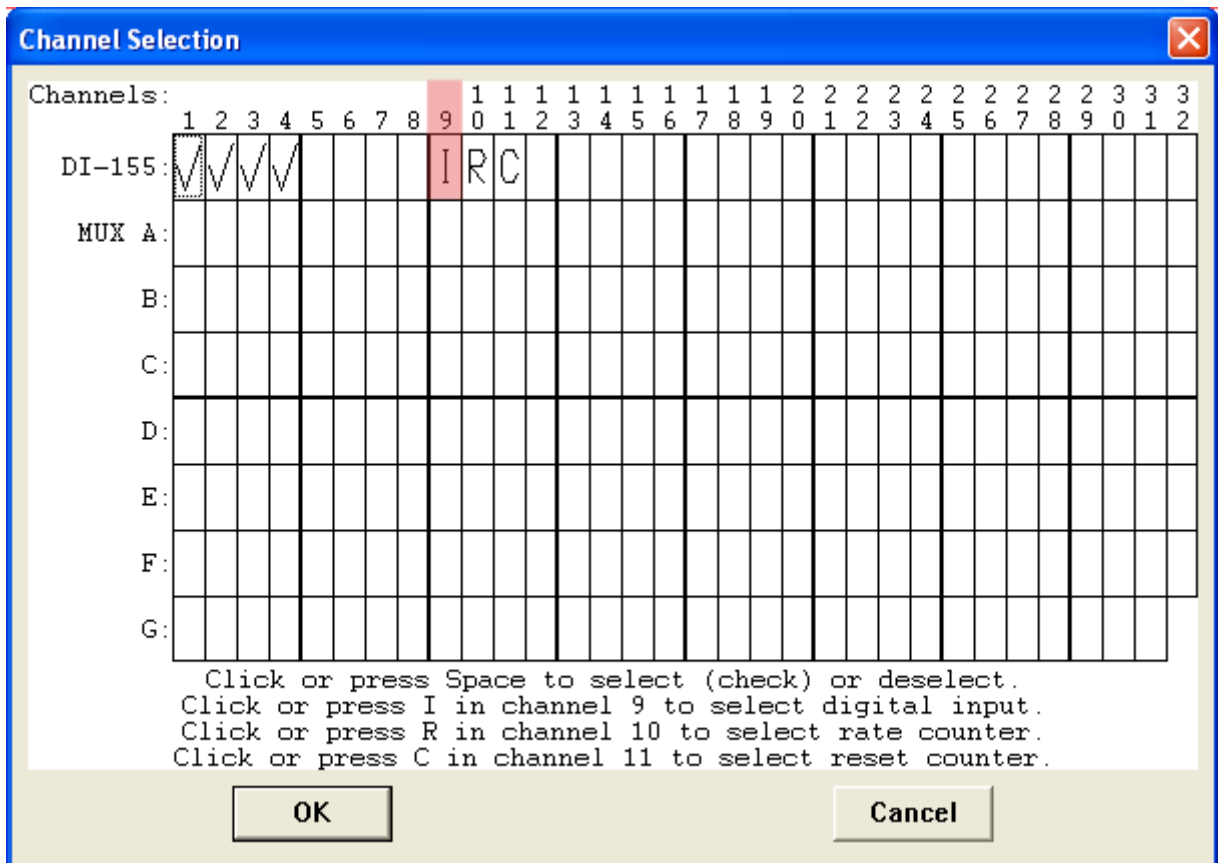
Use the Edit > Preferences > **Reset Count on Manual Record** in WINDAQ Acquisition software to reset counts to zero every time you begin or resume recording a data file using the File > Record command (F4).

Connect any TTL pulse stream (30 VDC max) to the Cnt/DI3 channel on the DI-155.



General Purpose Digital Inputs

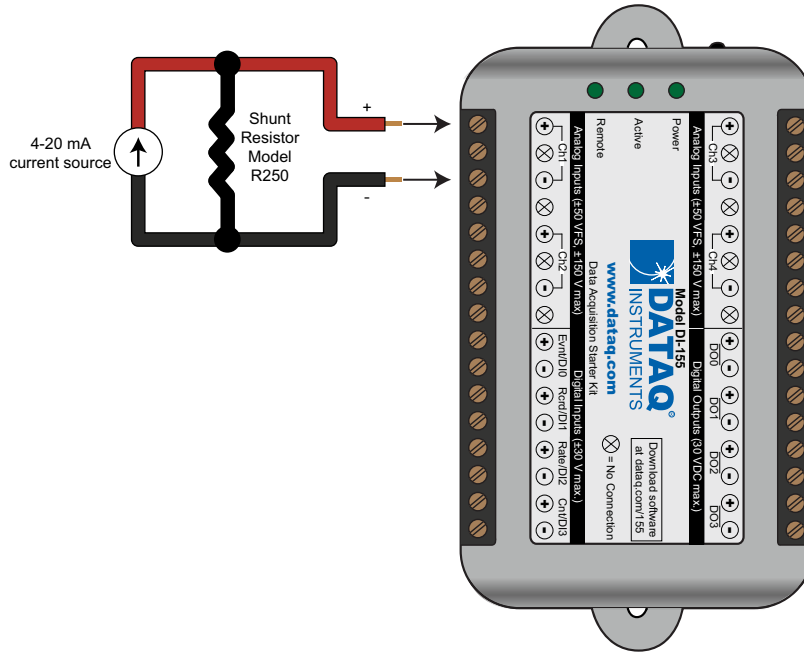
Enable Channel 9 for general purpose digital input functions. Click on **Edit > Channels** in the WINDAQ Acquisition menu to open the Channel Selection grid. Channel 9 is the designated Digital Input channel. Click on the Channel 9 channel box to enable/disable the digital inputs. The Channel 9 channel box will display an “I” when enabled.



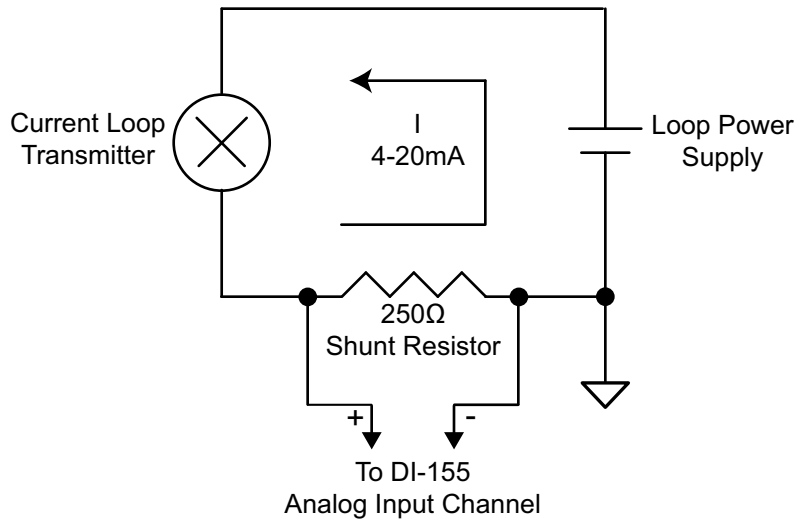
Channel 9 records and displays all the digital inputs, even the state of the Rate and Count inputs if those channels are enabled. With Channel 9 selected in the display window click **Scaling > Digital Plot** to show a digital display and make the data more meaningful on screen.

4-20mA Current Loop Measurements

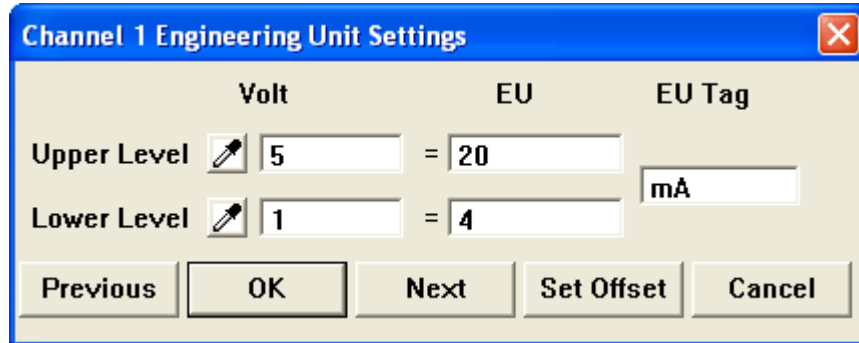
Use the following diagram for 4-20mA current loop measurement connections.



The shunt resistor should be placed on the low side of the circuit as shown below:



Set the engineering units as desired and define upper/lower levels in WINDAQ as 1V = 4mA for the low value and 5V = 20mA for the high value. For example, when using WINDAQ Acquisition software, in the EU Settings dialog box:



Enter the following values:

	Volt	EU	EU Tag
Upper Level	5	20	mA
Lower Level	1	4	

You can also associate these values to a physical measurement such as pressure, load, flow, torque, etc. Read the Help files for more information regarding Engineering Units Settings.

LED Indicators

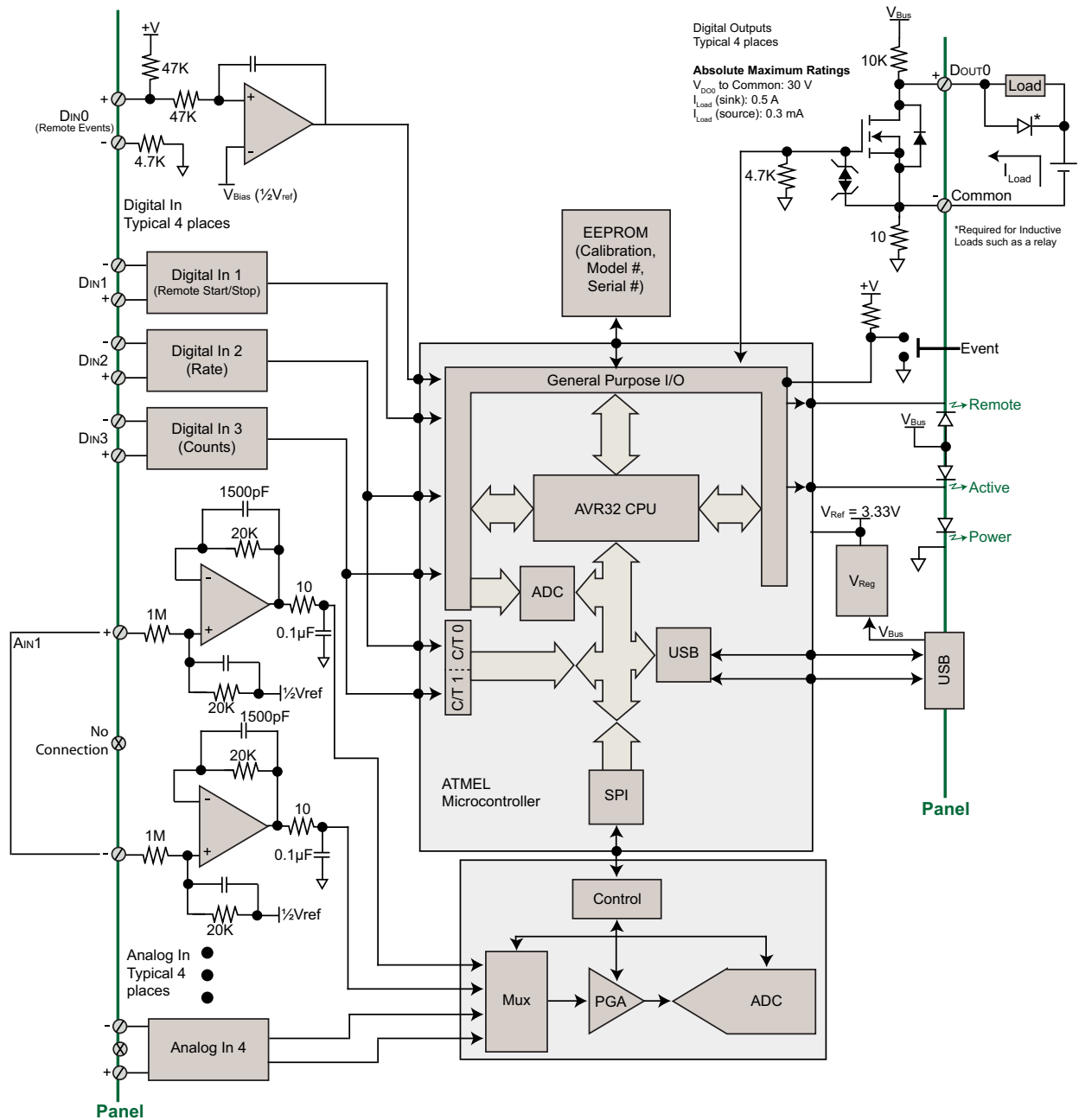
The DI-155 provides three green LEDs for instrument status and notification.

Power: Indicates power is applied via the USB cable.

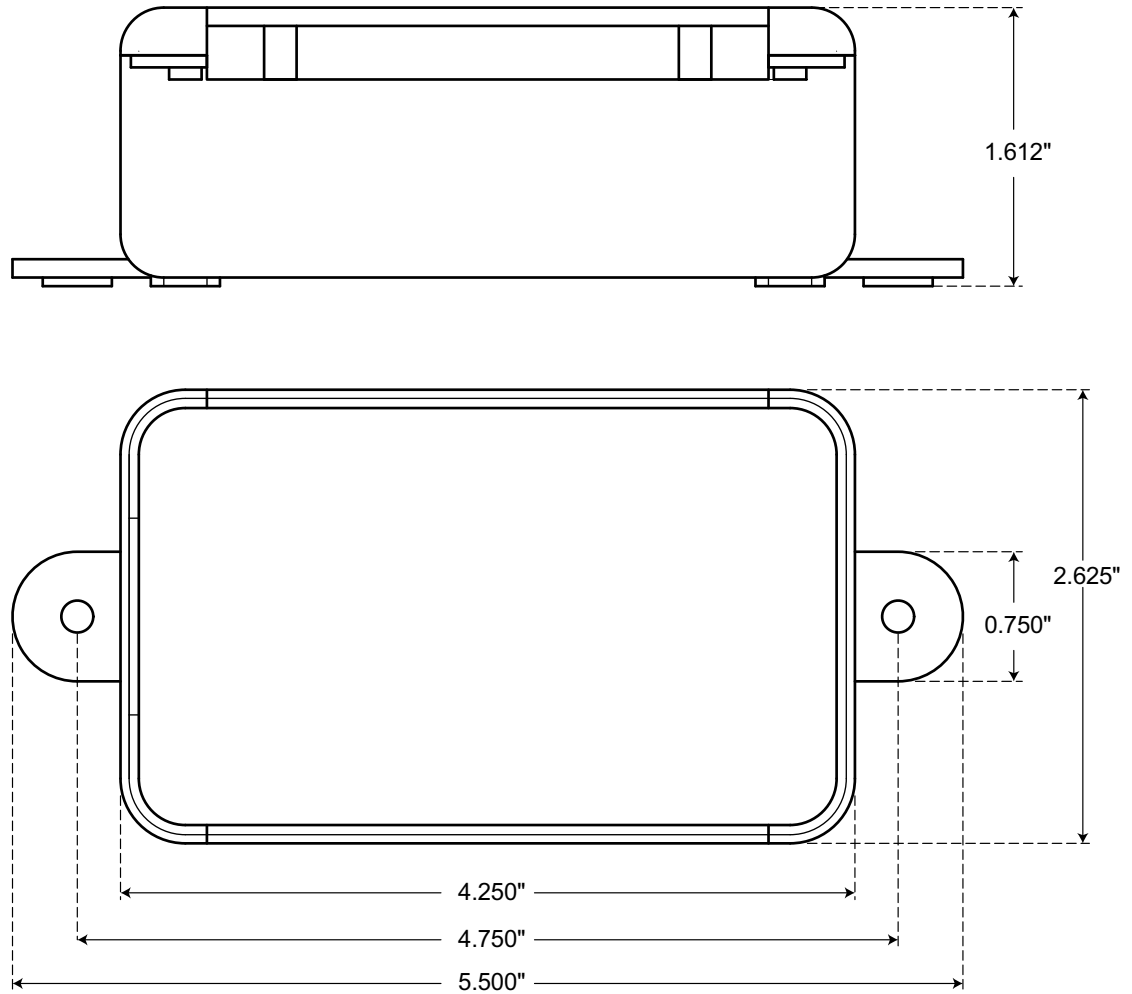
Active: Indicates the device is in use either by WINDAQ Acquisition Software or a custom user-developed program.

Remote: Indicates when the Event Button is pushed or the Event terminals are connected via a relay contact or digital input.

5. DI-155 Block Diagram



6. Dimensional Drawing





DATAQ Instruments, Inc.

241 Springside Drive

Akron, Ohio 44333

Telephone: 330-668-1444

Fax: 330-666-5434

Submit a support ticket to: www.dataq.com/ticket

Direct Product Links

(click on text to jump to page)

Data Acquisition | Data Logger